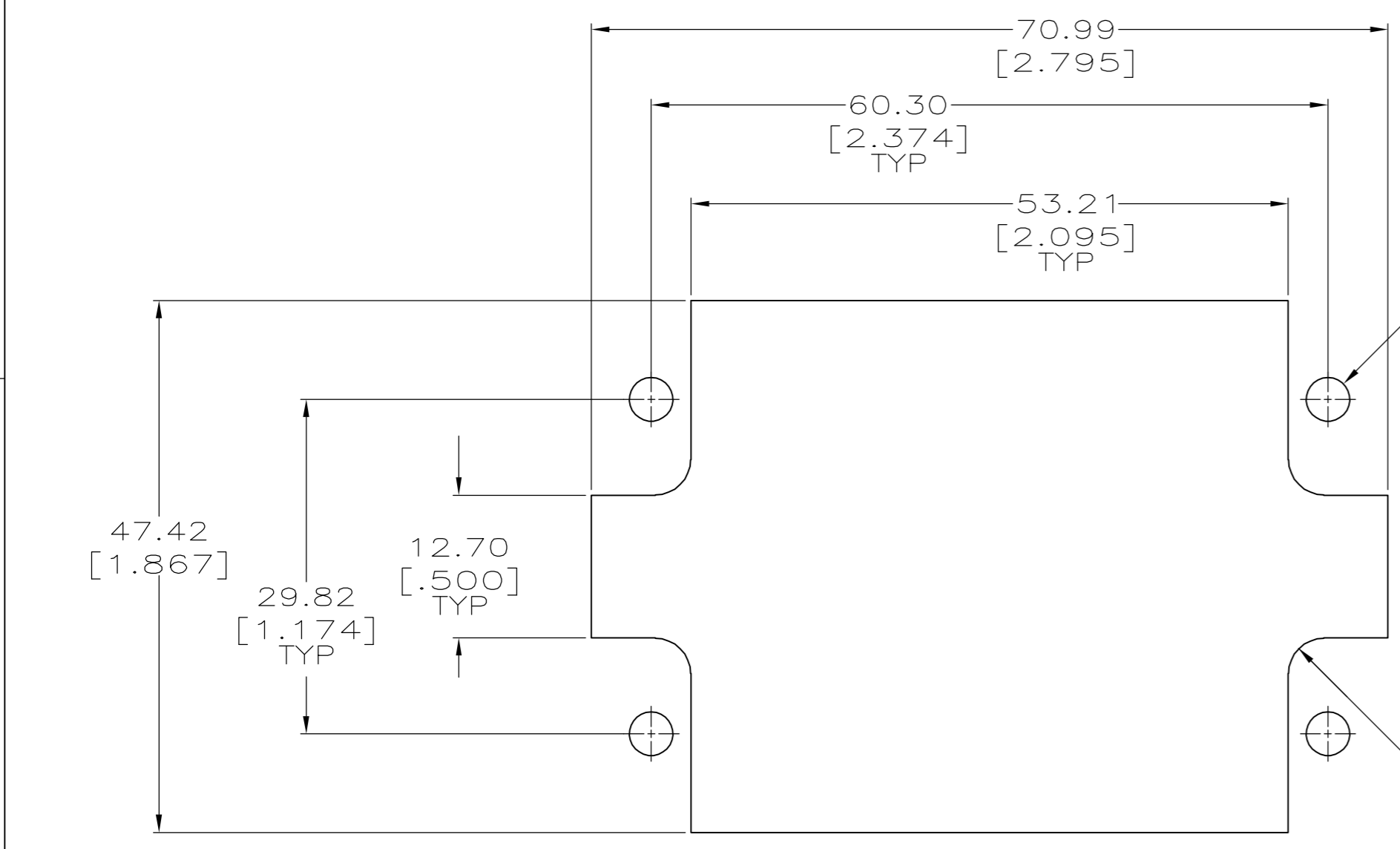
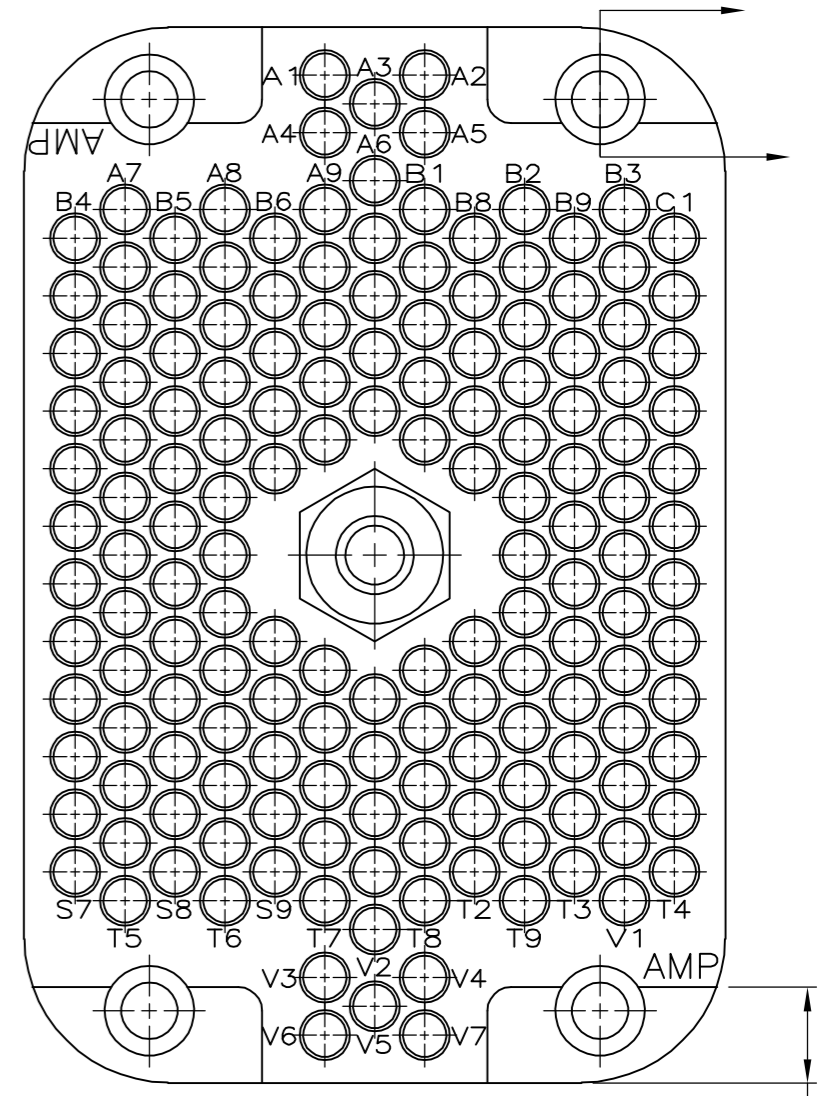
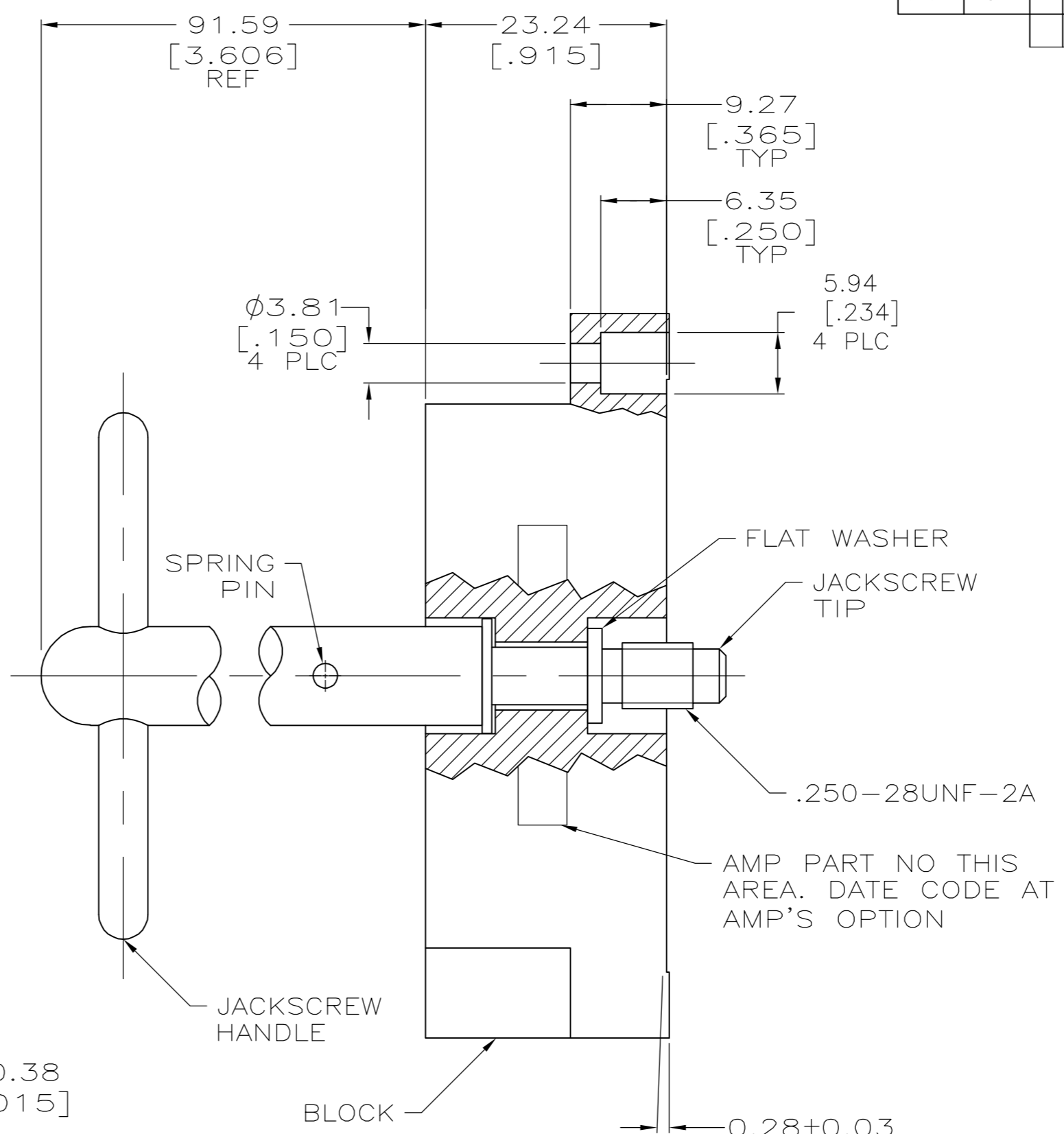
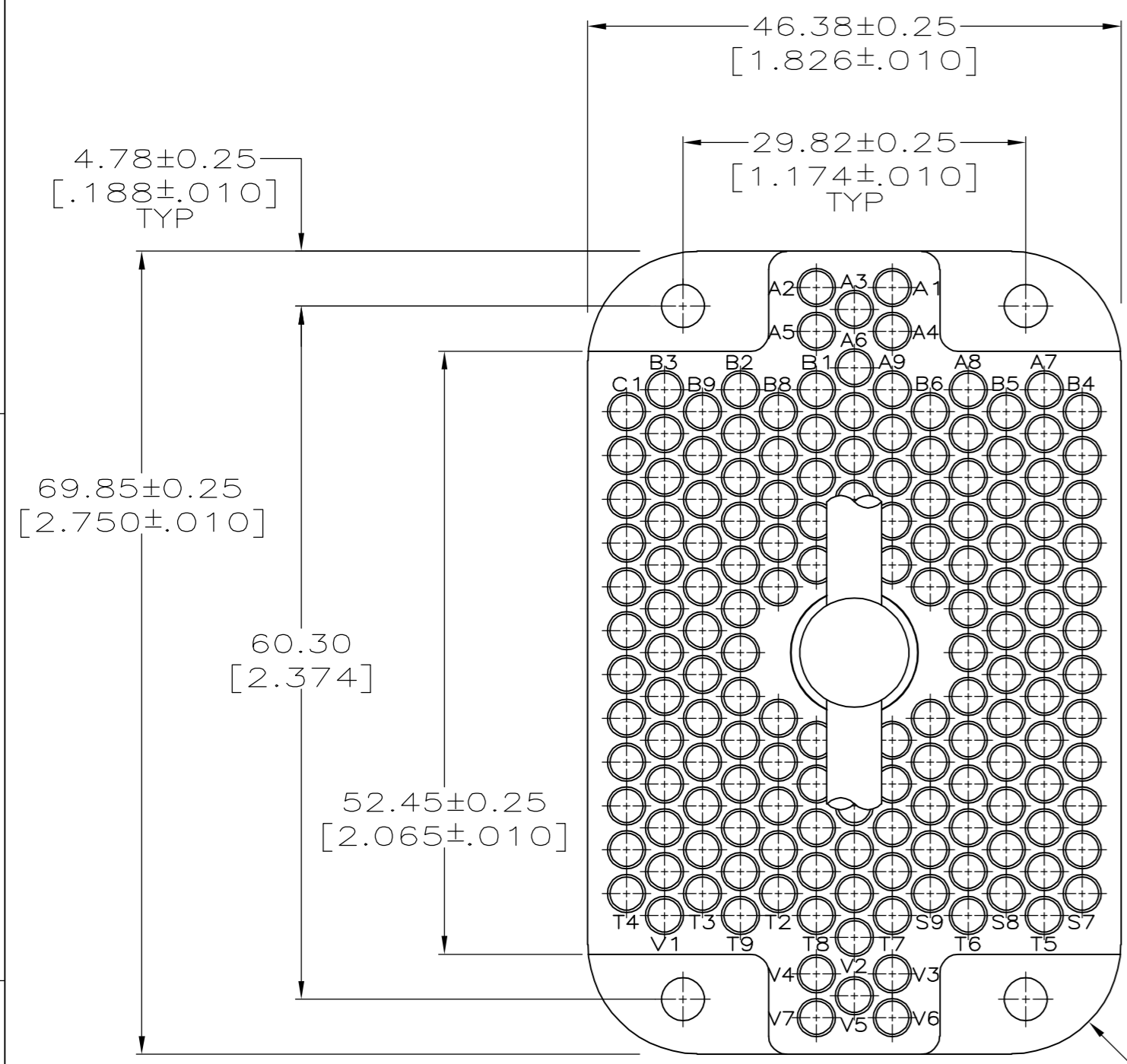


THIS DRAWING IS UNPUBLISHED. RELEASED FOR PUBLICATION
 © COPYRIGHT BY TYCO ELECTRONICS CORPORATION. ALL RIGHTS RESERVED.

REVISIONS				DATE	DWN	APVD
P	LTR	DESCRIPTION				
D1		REVISED PER ECO-06-22403	9/21/06	SS	GS	



RECOMMENDED PANEL CUTOUT

- 1 BLOCK: SEE TABLE.
JACKSCREW HANDLE, JACKSCREW TIP, & FLAT WASHER: STAINLESS STEEL.
SPRING PIN: HIGH CARBON STEEL.
- 2 JACKSCREW HANDLE, JACKSCREW TIP, & FLAT WASHER: PASSIVATED.
- 3. MATES WITH BLOCK 202800.
- 4 DIALYL PHTHALATE, PER MIL-M-14, TYPE SDG-F, BLUE.
- 5 PHENOLIC PER MIL-M-14, TYPE CFG, BLACK.
- 6 FINISH: ZINC PLATE WITH HEXAVALENT CHROMATE.
- 7 FINISH: ZINC PLATE WITH NON-HEXAVALENT CHROMATE.

SPRING PIN FINISH	BLOCK MATERIAL	PART NUMBER
5	5	202799-4
4	4	202799-3
6	5	202799-2
6	4	202799-1

THIS DRAWING IS A CONTROLLED DOCUMENT.		DWN B.CARBO 08 AUG 97	Tyco Electronics Corporation Harrisburg, PA 17105-3608
DIMENSIONS: mm [INCHES]		CHK R.STONE 18 AUG 97	
TOLERANCES UNLESS OTHERWISE SPECIFIED:		APVD G.STEINHAUER 05 SEP 97	NAME
0 PLC ± -	1 PLC ± -	PRODUCT SPEC	PLUG BLOCK ASSY, 160 POSITION, W/ CENTER FASTENER, M SERIES
2 PLC ± 0.13 [.005]	3 PLC ± -	APPLICATION SPEC	SIZE CAGE CODE DRAWING NO RESTRICTED TO
4 PLC ± -	ANGLES ± -	FINISH	A2 00779 C=202799
MATERIAL	FINISH	WEIGHT	SCALE 2:1 SHEET 1 of 1 REV D1
		CUSTOMER DRAWING	